

IRIDIO



Iridio thanks to its minimalist lines illuminates your spaces adapting perfectly to your style.

The opal plexiglass diffuser radiates light at 360 degrees, returning a combination of direct and indirect light that is functional and comfortable.

The structure with wall fixing (hidden), is in black plastic and the power supply is located inside.

Iridio can be installed on the wall or ceiling and is capable of being rotated 180° also after the installation to perfectly adapt to your needs.

The Iridio lamp is entirely produced in Italy.

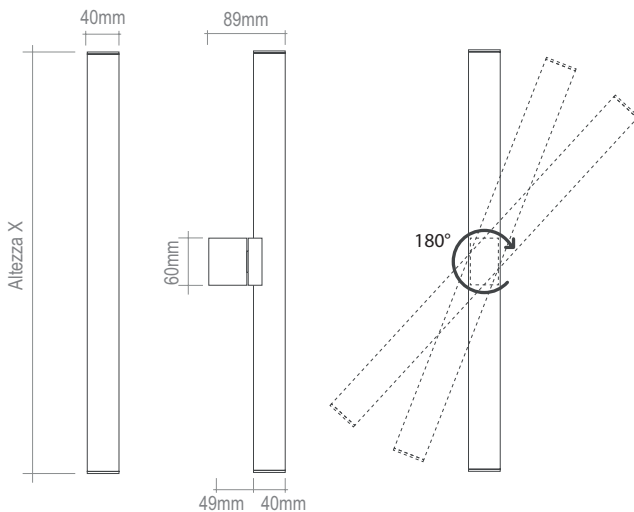
It adapts perfectly to home interiors, but also offices, shops and public spaces.

Thanks to LED technology, consumption is significantly reduced without changing the light output.

Product features

MADE IN ITALY

Voltage:	100-277VAc
IP Grade:	IP20 (internal use only)
Operating T°:	-20 °C +40 °C
Lifespan:	50.000 hours without changes in light intensity 100.000 hours of absolute duration
Dimmer:	integrated
Light color:	warm white (3000°K) or cool white (5000°K)
Material:	plastic and plexiglass
Fixture Color:	black
Diffuser:	opal white
Sizes:	Ø40mm h311mm - 611mm



All Illunaluce lamps can be managed with the ezon.io APP and can be integrated into the ezon.io smart home.

Download the APP for free from the App Store and Google Play.

To find out more, visit www.ezon.io.

Calcio is made according to the provisions of the CEI EN 60598-1 standard and complies with the EMC directive 89/336 EEC and with the directive 72/23 EEC - 93/68 EEC - 2002/95 / EC.

CE RoHS

Code	Typical luminous flux lm	Max. Consumption W	Height mm	Color °K
9.000.070	1550	9	311	3000
9.000.069	1600	9	311	5000
9.000.068	3100	15	611	3000
9.000.067	3200	15	611	5000

*referred to LED modules. Depending on the type of diffuser, a maximum reduction of 20% must be considered.